



with warranty

User manual
SL35100 [V R. 5]

Model: **SL35100-42STD-HP2**



Thank you for purchasing a RAY GEARS product.

Please read this manual thoroughly to ensure safe and correct use.

Please make sure to read "Safety cautions" (pages 2 and 3) before use.

After reading this manual, make sure to keep this manual handy for future reference.

Contents



Safety cautions	2
Nomenclature.....	4
Nomenclature and functions of battery checker/remote controller.....	5
How to turn ON light/How to recharge/How to light continuously with AC adapter.....	6
Focus adjustment function/Brightness control function.....	7
How to attach lens cover.....	8
Please carry out periodic supplementary recharging.....	9
When the light does not behave as designed.....	10
Troubleshooting	11
Specifications.....	12
Warranty and after service	13
Optional products	14

Safety cautions


Please observe the following points.

Please make sure to read this section before use. This product is designed in consideration of safety. However, misuse can cause damage of the product, electric shock, and/or fire that can cause health hazards and is extremely dangerous. Please observe the following points to ensure safe use of this product.

- Potential harms and damages as a result of failure to follow the instructions are categorized and explained using the following severities.

 Warning	Failure to observe the item marked with this mark can potentially cause accidents involving fatalities and serious injuries due to fire, electric shock, damage, and for other reasons.
 Caution	Failure to observe the item marked with this mark can potentially cause electric shock and other accidents, damage the product, or shorten the service life of the product.

- The restrictions to be followed are classified and explained using the marks shown below.

 The item marked with this mark is a prohibited item that must not be performed.	 The item marked with this mark is a mandatory item that must be performed.
---	--

Warnings



- Do not look into the light directly when it is ON.
- Do not point the light at eyes of people and animals directly with the light ON.
- Do not point the light at traveling cars and working people directly with the light ON.

Failure to observe the above can cause eye injuries and/or a serious accident.



- Do not place the battery in fire.
- Do not use the product in an environment where combustible substances and gases can be produced.
- Do not store the product at a highly humid place, a hot place at 40°C or above, or a heavily dusty place.
- Do not irradiate the light at an easily flammable item for a long period of time.

Failure to observe the above can cause a fire or the like.



- Set the switch to OFF after use without fail.
- Fully recharge the battery after use without fail.
- Carry out periodic maintenance.

Failure to observe the above can damage the product.



- Do not use this product as a weapon.

Failure to observe the above can cause a serious accident.



- Before replacing an accessory, check that the power is OFF without fail.
- Before touching the light, check that the temperature of the lens has dropped to a safe level to touch without fail.

Failure to observe the above can cause burn injuries.



- When the glass lens cracks or comes off, turn the power OFF and stop the use.

Failure to observe the above can cause a serious accident.

Cautions



- Store the product out of reach of children.

Failure to observe the above can cause an accident.



- Do not touch the glass lens and the bottom of the main unit directly with hands with the light ON.
- Do not touch the adapter with wet hands.

Failure to observe the above can cause burn injuries and electric shock.



- Do not attach the covers in a forcible manner.
- Do not use non-genuine adapter or optional products.

Failure to observe the above can cause failure and/or damage of the product or an accident.

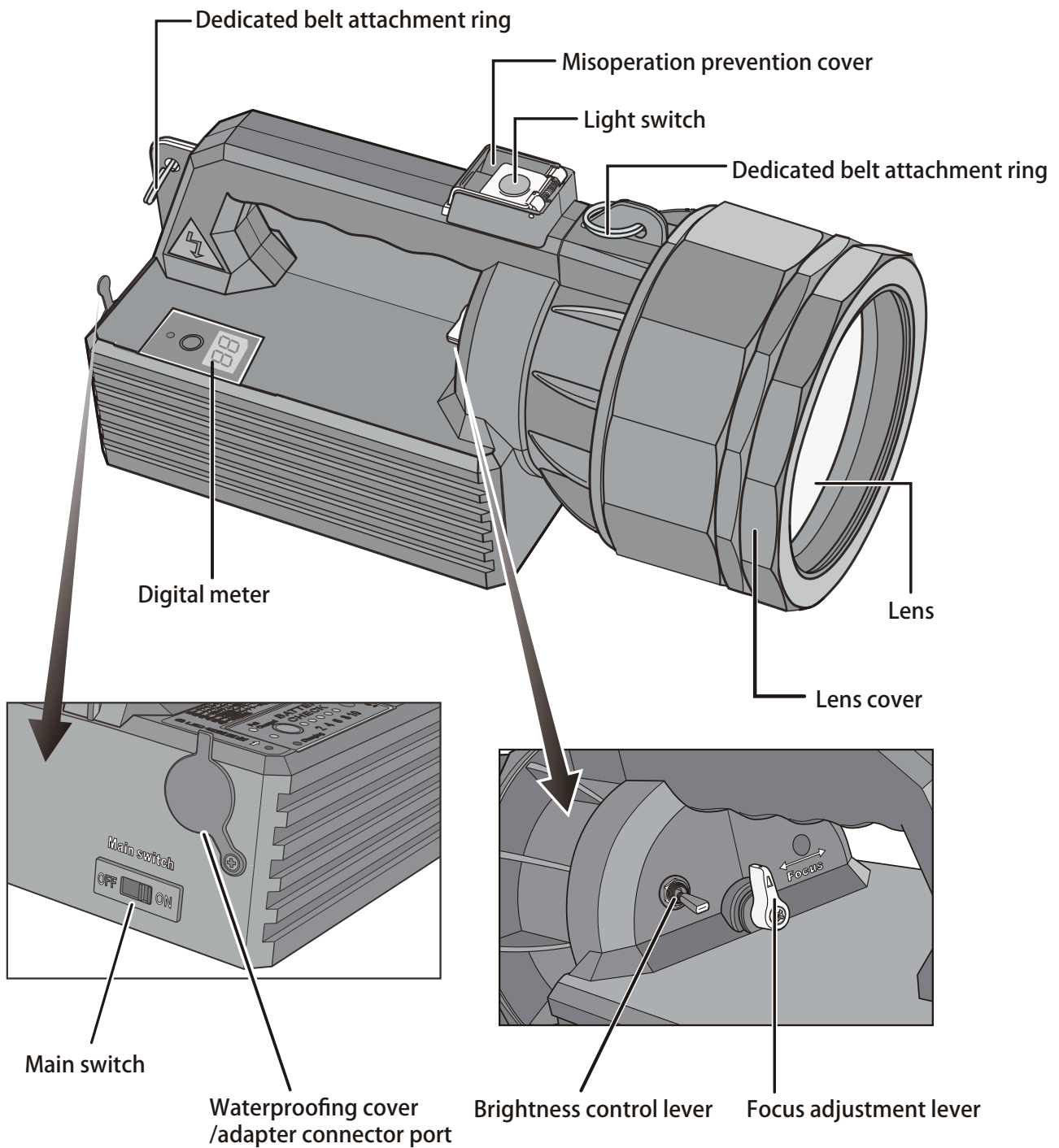


Disassembly is prohibited.



Do not submerge the product in water.

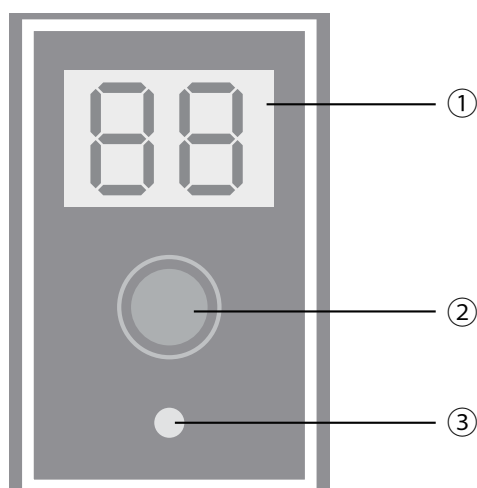
Nomenclature



Accessories

- Transparent diffusion lens cover × 1
- AC continuous lighting adapter (100 ~ 240 V) × 1
- DC continuous lighting connector (3 m) × 1
- Dedicated belt × 1
- High strength waterproof case × 1
- User manual with warranty × 1
- Remote controller × 1

Nomenclature and functions of battery checker



① Digital meter

100% : "Fu" is displayed

10 to 99 % : Exact percentage is displayed.

Less than 10% : "Lo" is displayed.

② Battery check button

The battery level is indicated in the digital meter while the battery check button is pressed.

③ Battery indicator

The battery level is indicated by the lamp color.

Lit (red): : Charging

Lit (green) : Fully charged

Flashing (red): : Error

* Perform "turning OFF and ON the main switch" operations twice to reset the system.

Nomenclature and functions of remote controller

Remote control range is up to 20 m where there are no shielding structures.



(1) Light switch: ON/OFF

(2) Flashing strobe: ON/OFF

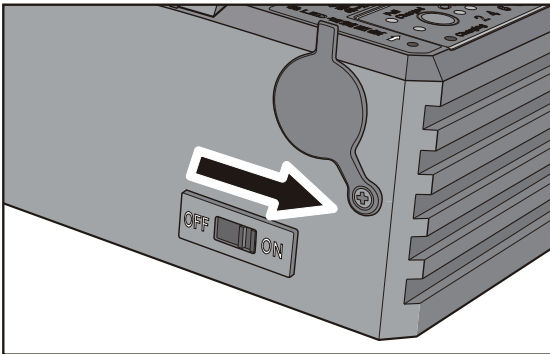
(3) Increase brightness: Brightness continues to increase while this button is pressed.

(4) Decrease brightness: Brightness continues to decrease while this button is pressed.

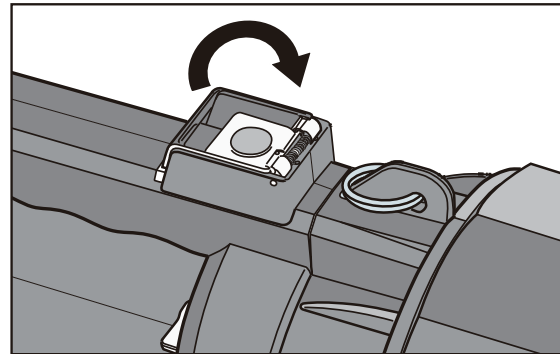
* Make sure to set the main switch to ON before using the remote controller.

How to turn ON light

(1) Set the main switch to ON.



(2) Lift the misoperation prevention cover and press the light switch.



* Do not remove the translucent silicone cover of the light switch.

* In the lit mode, the LED indicator of the light switch is lit in red.

* When used near wireless equipment, it can cause the battery protection circuit to disable the product. When this occurs, recharging operation can reset the circuit to help the light turn ON.

How to recharge

(1) Lift the waterproofing cover at the back of the main unit and connect the adapter plug to the charge connector port.

(2) Set the main switch to ON.

(3) Insert the power plug of the adapter to the 100 V~240V outlet.

(4) In the charging mode, the battery indicator is lit in red.

(5) When the battery indicator switches to green, the charging process is complete.

(6) Disconnect the adapter from the main unit and disconnect the power plug from the power outlet.

* Because this product uses a lithium ion battery, additional recharge may be performed.

* Safety design to prevent overcharge is adopted.

* The AC adapter generates noise during charging mode but it does not mean that the product has failed.

* Make sure to recharge until the battery indicator turns green.

* Recharging would not start when the main switch is at OFF.

* When charging error occurs, perform "turning OFF and ON the main switch" operations twice to reset the system.

How to light continuously with AC adapter

(1) Lift the waterproofing cover at the back of the main unit and connect the adapter plug to the charge connector port.

(2) Set the main switch to ON.

(3) Insert the power plug of the adapter to the 100 V~240V outlet.

(4) Set the light switch to ON.

(5) Continuous lighting with the AC adapter starts.

(6) When the light switch is set to OFF, the light reverts to the charging mode.

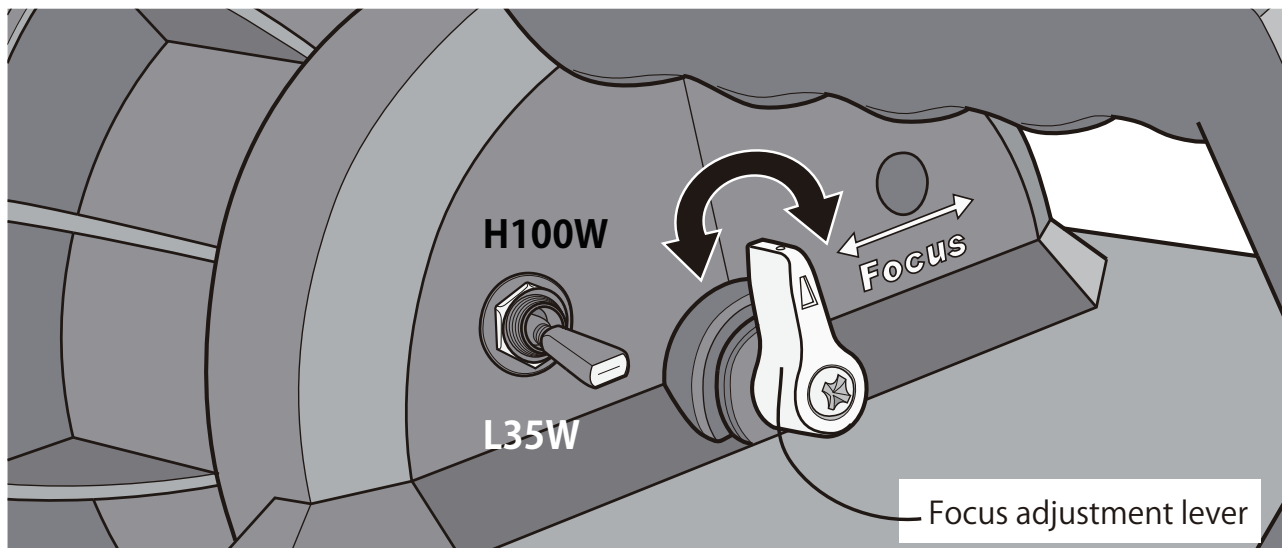
* When charging error occurs, perform "turning OFF and ON the main switch" operations twice to reset the system.

Focus adjustment function

Turn the lever to left or right to adjust the focus of the light.

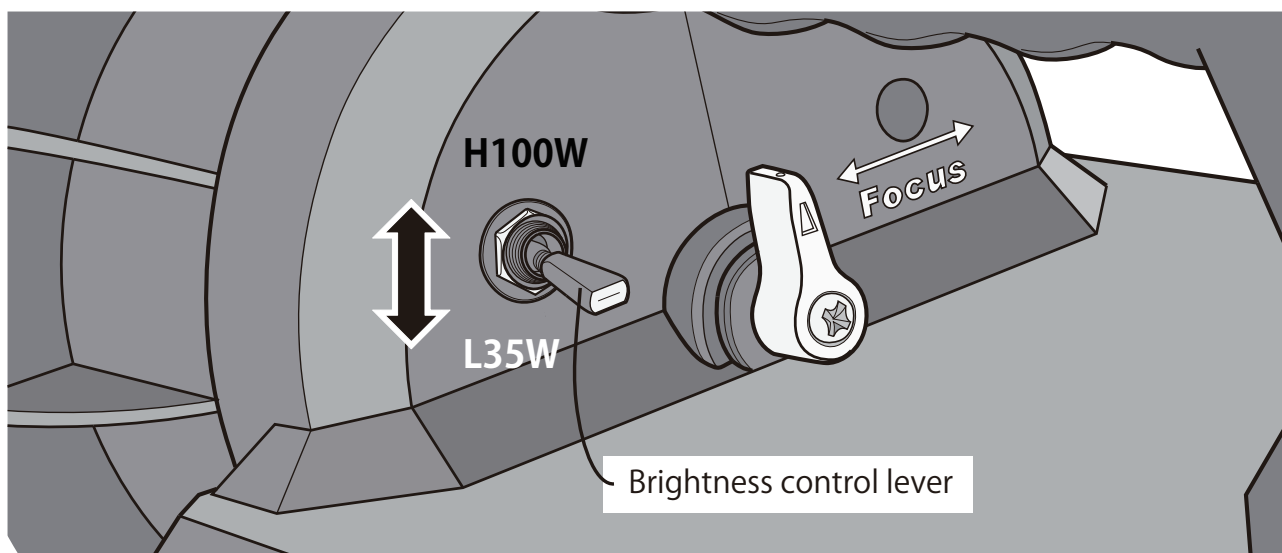
◇Spot light distribution (Suitable to irradiate long distance.)

◇Wide light distribution (Suitable to irradiate short distance and/or wide range.)



Brightness control function

Flip up or down the lever to adjust the brightness of the light.



- When the light is turned ON, the brightness always starts from 35 W.

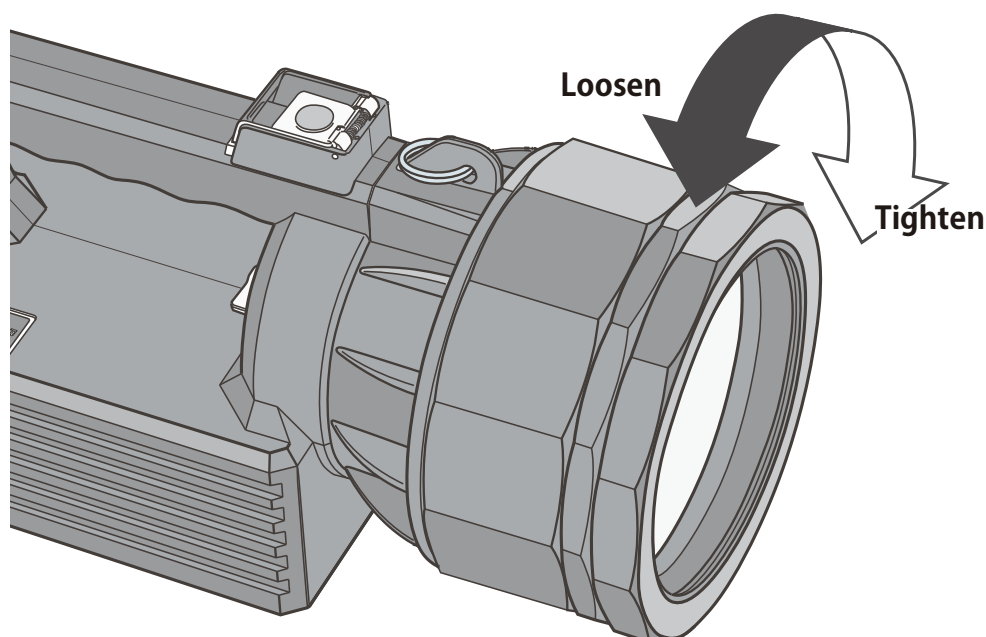
- 11-step adjustment is supported. * The brightness level is indicated in the digital meter.



Flip up the lever: Increase output
Flip down the lever: Decrease output

How to attach lens cover

This section covers how to attach diffusion lens covers (accessories) and various optional lens covers (optionally available).



(1) Remove the lens cover by turning in anti-clockwise direction.

(2) Attach the intended lens cover by turning in clockwise direction.

* Use our genuine lens covers without fail. Use of non-genuine products can cause damage to the product and injuries.

* Turning the cover forcibly in an unfitted state can damage the threads.

* If the cover cannot be turned smoothly, use commercially available silicone spray or the like on the threads.

* Make sure to set the main switch to OFF before attaching the lens cover.

■ Special lens covers (optionally available)

Product names	Models
850 infrared lens cover	3050IR850S-LC
Diffusion 850 infrared lens cover	3050IR850W-LC
950 infrared lens cover	3050IR950S-LC
Diffusion 950 infrared lens cover	3050IR950W-LC
530 dust detection lens cover	3050GD530-LC
365 ultraviolet lens cover	3050BL365S—LC
Diffusion 365 ultraviolet lens cover	3050BL365W-LC
415 protein denatured lens cover	3050PT415-LC
Eye glasses	EX-415-OGEG

Please carry out periodic supplementary recharging

◆ This product requires periodic supplementary recharging. Read this section without fail.

Lithium ion batteries are known to discharge although not used due to their self-discharge characteristics.

Thus, when the product is left unused for a long period of time, the performance can deteriorate significantly and the product can become unusable in the worst case.

Carry out supplementary recharging as described below after use of the product without fail.

Also when not using the product for a long period of time, carry out supplementary recharging once a month for reference.

Please be informed that performance deterioration due to long-term storage without carrying out supplementary recharging is outside the scope of our warranty.

Supplementary recharging

Carry out supplementary recharging at the following times to maintain good condition of the product.

- After use
- When leaving unused for a long period of time (approx. once a month)

How to carry out supplementary recharging

Please carry out supplementary recharging as follows.

- (1) Lift the waterproofing cover at the back of the main unit and connect the adapter plug to the charge connector port.
- (2) Set the main switch to ON.
- (3) Insert the power plug of the AC adapter to the 100V~240V outlet.
- (4) Recharge starts.
In the charging mode, the battery indicator is lit in red.
- (5) When the battery indicator switches to green, the charging process is complete.
- (6) Disconnect the adapter from the main unit and disconnect the power plug from the power outlet.
- (7) Set the light switch to ON and keep it on for approx. 10 seconds.
- (8) Set the light switch to OFF.
- (9) Set the main switch to OFF.

When the light does not behave as designed

Before making a request for a repair, please check the following items.

Condition	Check point	Actions	Reference page in user manual
The battery cannot be recharged.	Is the main switch at ON?	Set the main switch to ON.	Page 6
	Is the AC adapter connected correctly?	Connect the AC adapter to the main unit correctly and insert the power plug to the power outlet.	Page 6
The light would not light.	Is the main switch at ON?	Set the main switch to ON.	Page 6
	Is the light switch at ON?	Set the light switch to ON. (Light switch: lit in red when ON, not lit when OFF)	Page 6
	Is the battery depleted?	Press the battery check button of the battery checker and check the battery level.	Page 6

When the action(s) above do not resolve the condition

● Read the "Troubleshooting" section in page 11, and try the potential solution(s).

Troubleshooting

◆ When the battery cannot be recharged:

1. Set the main switch to ON.
2. Connect the AC adapter to the main unit correctly and insert the power plug to the power outlet.
3. In that state, wait for about 10 minutes.
4. Set the main switch to OFF.
5. Set the main switch to ON again.
6. Check the battery indicator.

When it is lit in red, the battery is recharging normally.

When the above operation does not seem to help the situation

- It is extremely dangerous to disassemble the light for repair on your own.
- The light may have failed. Please contact our customer service representative. See "Warranty and after service" (page 13) for details.

◆ When the light would not light

When the product is left unused for a long period of time, the light may fail to turn ON. In that case, please reset the product by following the procedure below and see if it helps.

1. Set the main switch to ON.
2. Connect the AC adapter to the main unit correctly and insert the power plug to the power outlet.
3. Disconnect the AC adapter.
4. Set the light switch to ON.

* When used near a wireless equipment, it can cause the battery protection circuit to disable the product. When this occurs, follow the procedure given in the "When the light would not light" section.

When the above operation does not seem to help the situation

- It is extremely dangerous to disassemble the light for repair on your own.
- The light may have failed. Please contact our customer service representative. See "Warranty and after service" (page 13) for details.

Specifications

Product name	SL35100[VR.5]
Model	SL35100-42STD-HP2
Output	100 W<-> 35 W (11-step brightness control)
Maximum light flux	100 w / 9100 (lm) 35 w / 3300 (lm)
Irradiation distance	100 w / 2200 (m) 35 w / 700 (m)
Main unit lighting time	Approx. 1 h 30 m at 100 W, approx. 3 h 45 m at 35 W
Color temperature	4200K
Main unit weight	Approx. 2.8 kg
Main unit dimensions	140 × 154 × 296 (mm)
Focus adjustment	Spot <-> wide
Battery model	SLHBP-3050 * Lithium ion battery
Battery specifications	PAN NCR18650B-4S3P 14.4V 10350mAh 147Wh
Charging time (approx.)	5 h
Contents	<ul style="list-style-type: none"> - Main unit × 1 Model: SL3570 (VR.5) - Diffusion lens cover (translucent white) × 1 Model: 3050WW-LC - AC continuous lighting adapter (100V-240V) × 1 Model: ACDCCH-3050 - DC continuous lighting connector (3 m) × 1 Model: 3MDC-3050 - Shoulder belt × 1 Model: SHB-3050 - High strength waterproof case × 1 Model: BSWP-3570 - User manual with warranty × 1 - Remote controller × 1 Model: RC-100